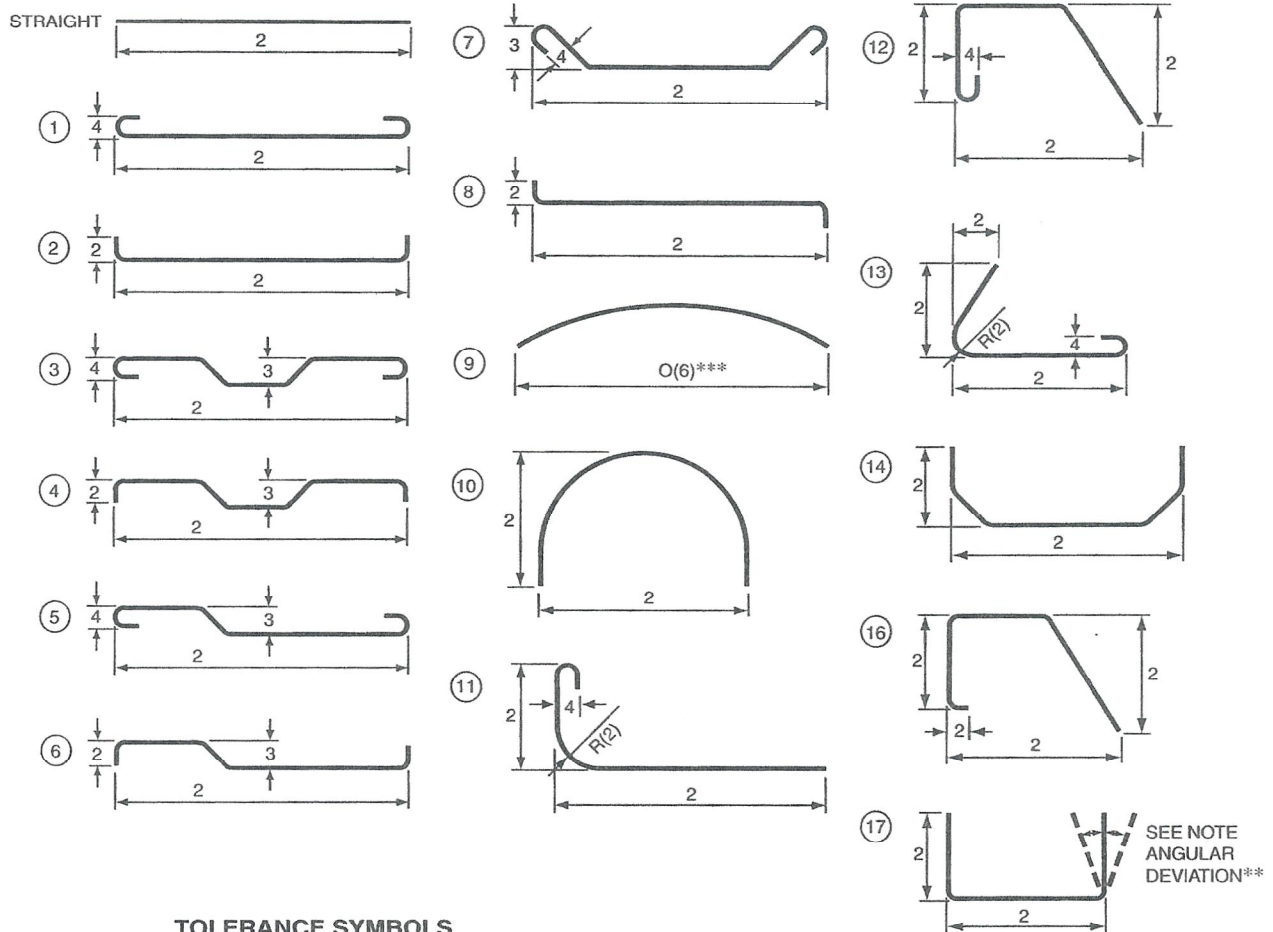


FIGURE 7-3 STANDARD FABRICATING TOLERANCES – ACI 315
For bar sizes #3 through #11 [#10 through #36]



TOLERANCE SYMBOLS

1	= ± ½ in. [15 mm] for bar sizes #3, #4 and #5 [#10, #13 and #16] (gross length < 12'-0" [3.5 m])
1	= ± 1 in. [25 mm] for bar sizes #3, #4 and #5 [#10, #13 and #16] (gross length ≥ 12'-0" [3.5 m])
1	= ± 1 in. [25 mm] for bar sizes #6, #7 and #8 [#19, #22 and #25]
2	= ± 1 in. [25 mm]
3	= +0, -½ in. [15 mm]
4	= ± ½ in. [15 mm]
5	= ± ½ in. [15 mm] for diameter ≤ 30 in. [750 mm]
5	= ± 1 in. [25 mm] for diameter > 30 in. [750 mm]
6	= ± 1.5% x "O" dimension, ≥ ± 2 in. [50 mm] minimum

All tolerances single plane and as shown.
 *Dimensions on this line are to be within tolerance shown but are not to differ from the opposite parallel dimension more than ½ in. [15 mm].
 **Angular Deviation—maximum ± 2½° or ± ½ in./ft [40 mm/m], but not less than ½ in. [15 mm], on all 90° hooks and bends.
 ***If application of positive tolerance to Bend Type 9 results in a chord length not less than the arc or bar length, the bar may be shipped straight.
 Tolerances for Bend Types S1 through S6, S11, T1 through T3, T6 through T9 apply to bar sizes #3 through #8 [#10 through #25] inclusive only.